

1

2

3

4

A

B

C

D

A

B

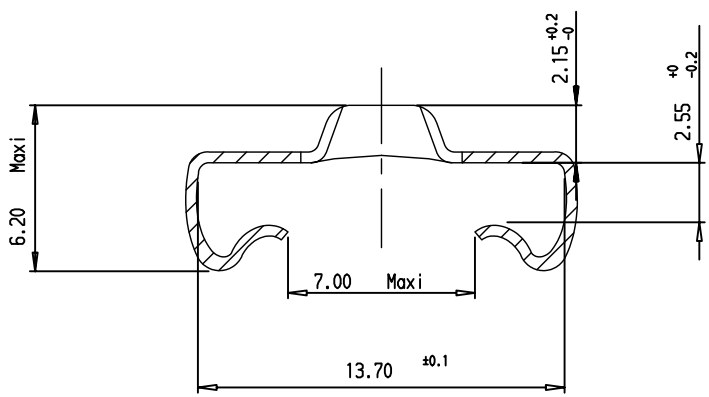
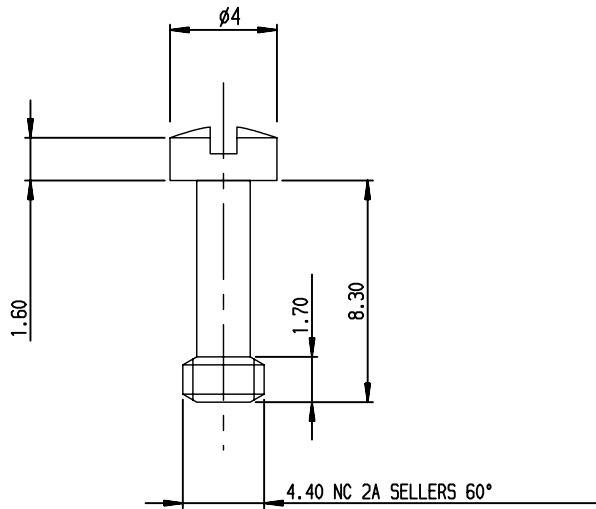
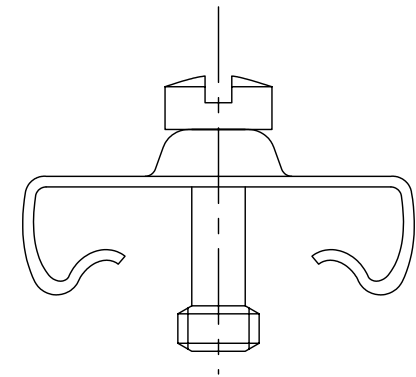
C

D

NOTES

Pieces assembly
 Packaging : per 100 piece
 Material : steel
 Plating : yellow chromate cadmium
 Thread : UNC 4.40

VIEW ASSEMBLY



Part Number	8630-09A
-------------	----------

European Views

www.fciconnect.com		surface ISO 1302 <input checked="" type="checkbox"/>	tolerance std ISO 406 ISO 1101	projection 	mm
TOLERANCES UNLESS OTHERWISE SPECIFIED					
Dr	JOUBERT	1997/04/01	ANGULAR	0.X ±0.1	size A3
Eng	GOISNARD	2004/01/10	LINEAR	0.XX ±0.1	Scale 5
Chr	-	-	0.XX' ±2°	0.XXX ±0.1	ECN LS07-0001
Appr	-	-	Product family	D-SUB	Spec ref -
		title MALE SCREW LOCKS			Rev. D
		9 A 37 PTS			dwg no C01-8655-0706
		catalog no -			CUSTOMER sheet 1 of 1

rev	ecn no	dr	date
B	-	LGO	2004/10/01
C	LS06-0101	MPE	2006/06/27
D	LS07-0001	MPE	2007/01/02
-	-	-	-
-	-	-	-
-	-	-	-



Copyright FCI.

1

2

3

4